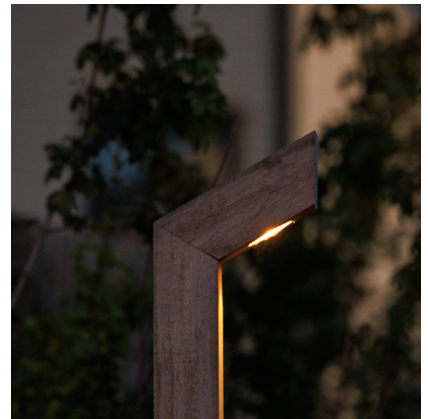


PUNTO



INDEX

Specifications	2
Options	2
Ledmodules	3
Drawings	4
Durability classes	7
CO2-storage	8
Downloads	8

SPECIFICATIONS

- **IP rating:** IP54
- **Power per LED module:** 2.4 Watt
- **Lumen output per LED module:**
 - 2.200K = 109 lm
 - 2.700K = 121 lm
 - 4.000K = 153 lm
 - amber = 47 lm
- **Beam angle:** 155x65 degrees
- **LED module lifetime:** >100.000 H (L90,B10)
- **Lighting data:** LDT / IES files are available at www.timberlab-solutions.com or in the Dialux library: <https://silver.dialux.com/timberlab>
- **BUG rating:** B0, U0, G0
- **CE marked**
- **Packaging:**

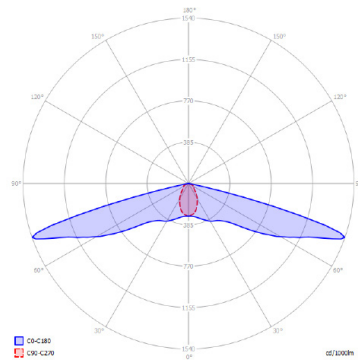
Pallet dimensions (L x W x H):	1500 x 800 x 1500 mm
Pack quantity per pallet:	98
Pallet weight (KG):	1500

OPTIONS

- **Voltage:** 230 VAC of 12-24V AC/DC
- **Wood type:** Accoya
- **Certification:** FSC or PEFC
- **Light colour:** 2.200K, 2.700K, 4.000K, 3.000K/amber or amber (593nm)
- **Connection:** Available with or without cable (1m 3x1.5mm²). A 32mm hole is standard in the fixture for easy passage of your ground cable
- **DALI Control**
- **Mast access door with triangular lock / with fuse box**
- **Powder coating of post holders**
- **Dynamic motion sensor**
- **Variations:** At Timberlab, each fixture is custom-made with care. In addition to the standard options, we are happy to help create variations tailored to your application. Feel free to contact our project advisors with any questions at www.timberlab-solutions.com.

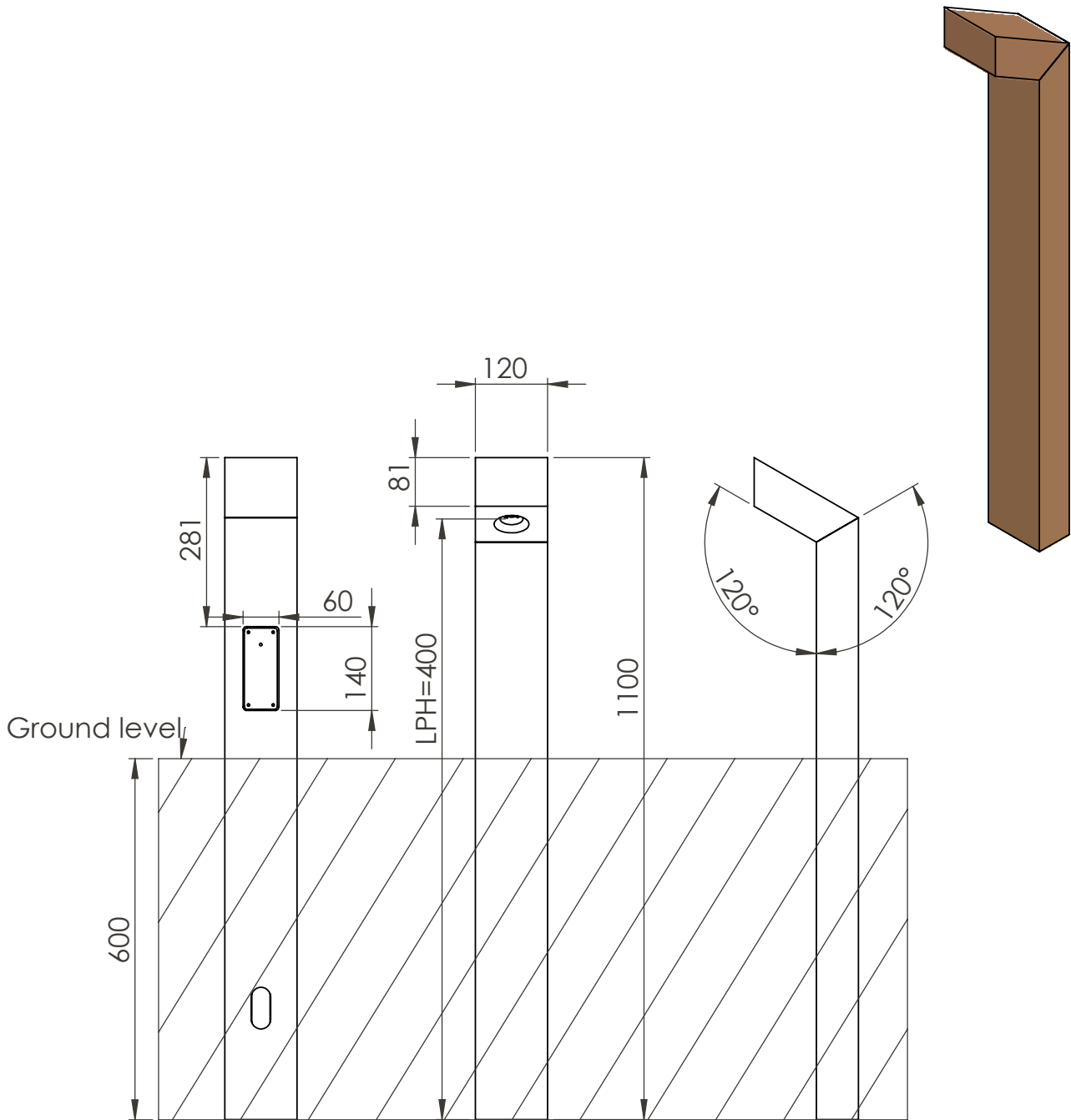


LEDMODULES



	TBL path light module 2.200K	TBL path light module 2.700K	TBL path light module 4.000K	TBL path light module AMBER 593 nm
Voltage (option)	230 VAC 12-24V AC/DC	230 VAC 12-24V AC/DC	230 VAC 12-24V AC/DC	230 VAC 12-24V AC/DC
Power	2.4 W*	2.4 W*	2.4W*	2.1W*
Capacity	0.36*	0.36*	0.36*	0.34*
Lumen output	109 lm*	121 lm*	153 lm*	47 lm*
Efficiency	45 lm/W*	50 lm/W*	63 lm/W*	23 lm/W*
Light colour	2200K 2335K*	2700K 2654K*	4000K 3801K*	AMBER x=0.5977 y=0.3996.*
CRI	84*	84*	72*	N/A
Dimmable	on request	on request	on request	on request
Label	A+	A+	A+	B
Protection	IP 54	IP 54	IP 54	IP 54
Beam angle	156x64*	156x64*	154x65*	151x58*
Number of LEDs per module	1	1	1	1
Operational temperature	-20...+50°C	-20...+50°C	-20...+50°C	-20...+50°C
Expected life span	100.000 hours	100.000 hours	100.000 hours	100.000 hours

* Measured values



timberlab

Timberlab B.V. - Harskamperweg 32 - 6731AB Otterlo
The Netherlands T +31 (0)318 943617 -

TITLE: PUNTO 500+600 ingr

FILE: Production drawing

REVISION A 24-10-2024

Drawn by:
DR

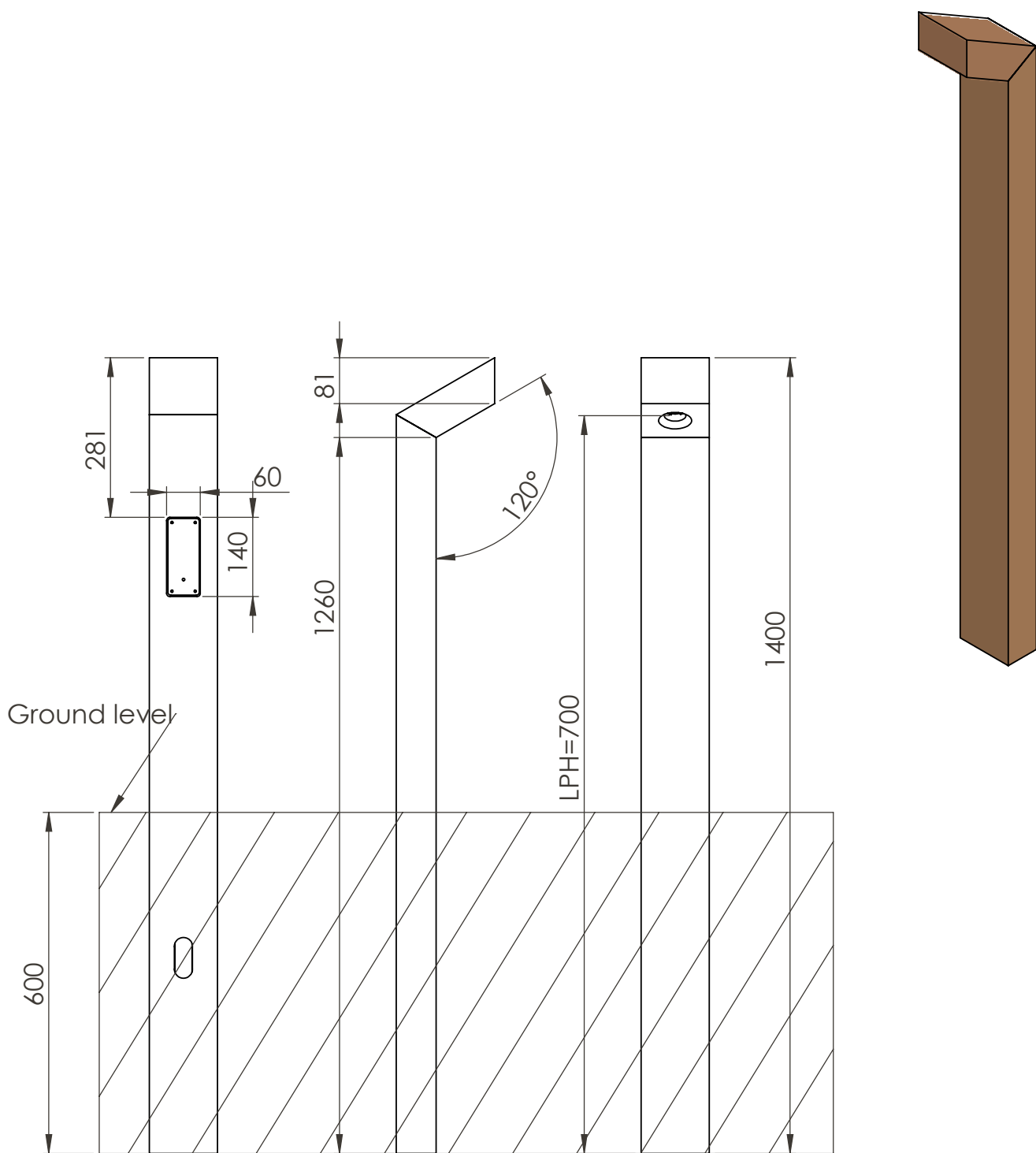
Checked by:
TvD

MATERIAL:

A4

Scale: 1:10

SHEET 1 OF 1



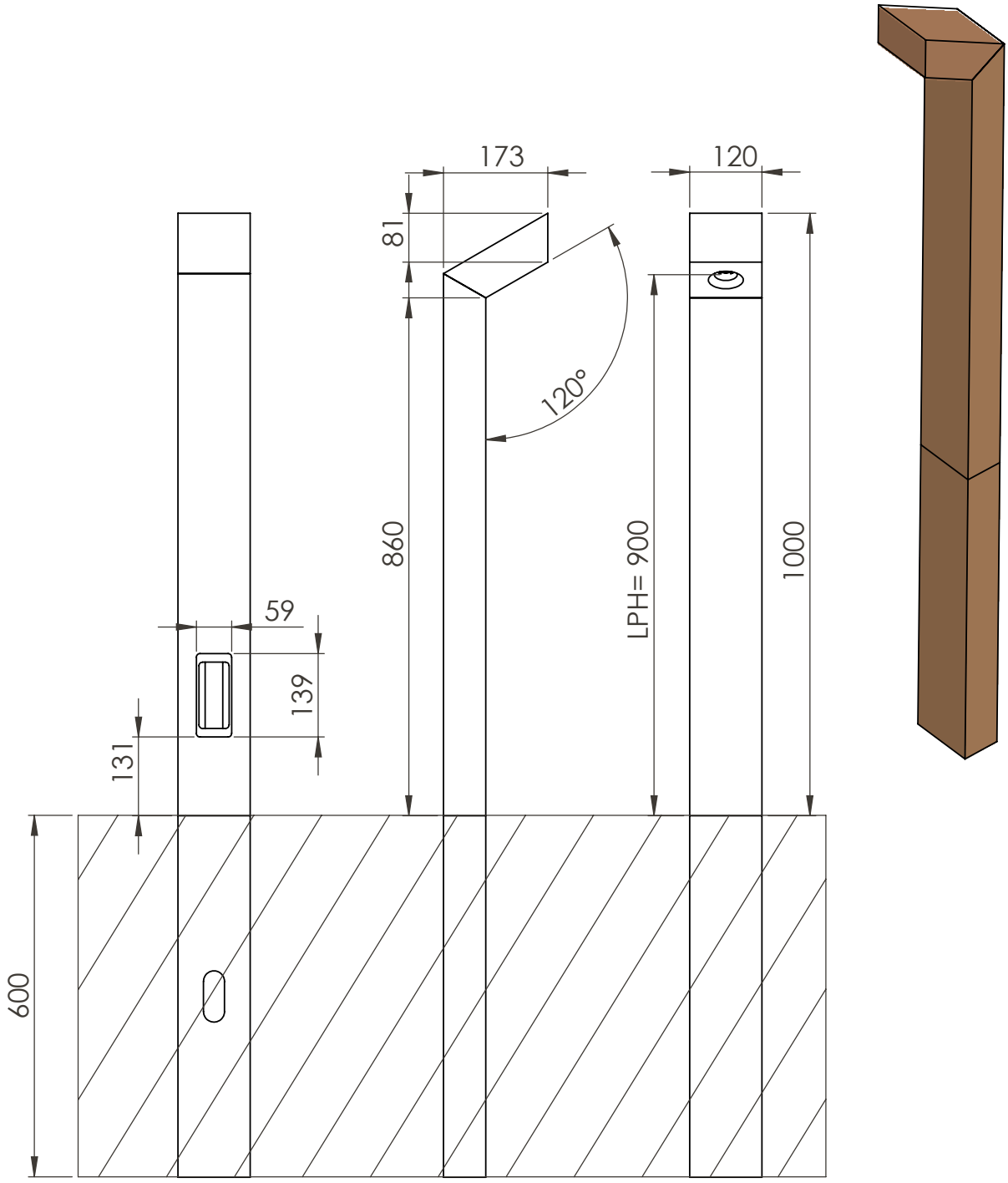
timberlab

Timberlab B.V. - Harskamperweg 32 - 6731AB Otterlo
The Netherlands T +31 (0)318 943617 -

TITLE: PUNTO 800+600 ingr

FILE: Production drawing REVISION A 24-10-2024

Drawn by: DR	Checked by: TvD	MATERIAL:	A4
-----------------	--------------------	-----------	----



timberlab

Timberlab B.V. - Harskamperweg 32 - 6731AB Otterlo
The Netherlands T +31 (0)318 943617 -

TITLE: PUNTO 1000+ 600 ingr			
FILE: Production drawing		REVISION	A 24-10-2024
Drawn by: DR	Checked by: TvD	MATERIAL:	A4

Scale: 1:10

SHEET 1 OF 1



The mark of responsible forestry

FSC®

The Forest Stewardship Council (FSC) is an international organization dedicated to global conservation and responsible forest management. FSC defines responsible forest management as the balanced consideration of ecological, social, and economic aspects associated with forestry.



PEFC™

PEFC is an international certification mark that guarantees wood and paper products originate from sustainably managed forests, ensuring the preservation of forest areas.

DURABILITY CLASSES

Class	Lifespan	Wood species
I	>25 years	Accoya*, cumaru
II	15 - 25 years	Chestnut, oak
III	10 - 15 years	Douglas fir
IV	5 - 10 years	
V	< 5 years	

* Accoya is guaranteed to last for over 50 years above ground and 25 years in ground or freshwater. For more information, visit www.accoya.com.

C02-Storage

Accoya	Punto ingr 500		Punto ingr 800		Punto ingr 1000	
	Weight	C02	Weight	C02	Weight	C02
	5 kg	8 kg	6 kg	10 kg	7 kg	11 kg

DOWNLOADS

For more information, visit <https://timberlab-solutions.com/> where you can find a manual, 3Ds file, and create a lighting plan with our Light Calculator.

The documents that can be downloaded are:

- Datasheet Smart Motion Sensor
- Manual

Other links are:

- Specification text
- Lighting plan

Disclaimer

The information presented in this datasheet is carefully compiled by Timberlab with care and attention. Nevertheless, it is possible that the information published in the datasheet is incomplete and/or incorrect.

